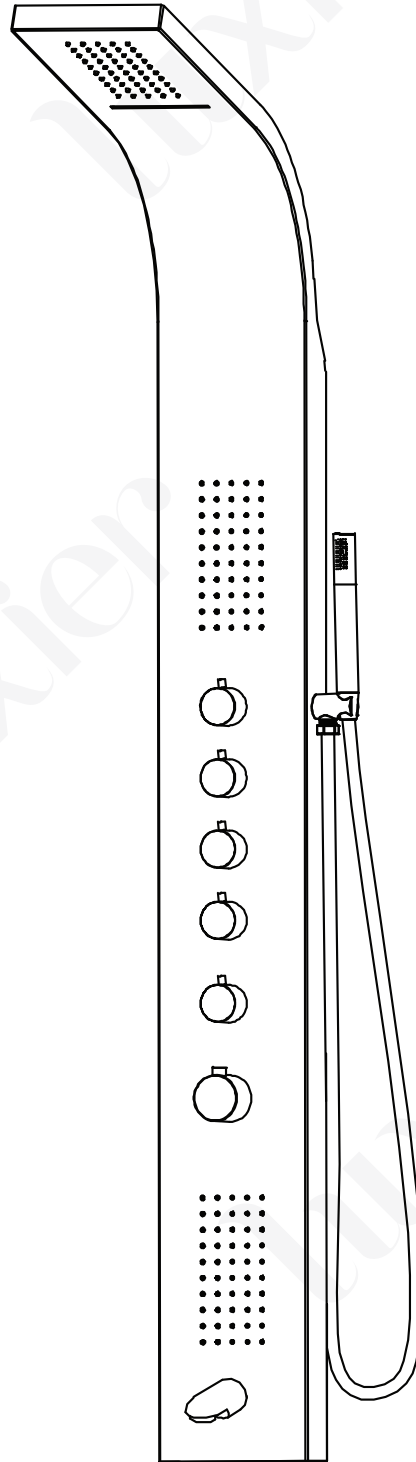


# luxier®

Luxier SP04-SS-TB



## Features

- Stunning stylish European inspired design
- Elegant durable stainless steel frame construction
- 5 stage shower functions (Rainfall, Waterfall, Massage Spray, Hand Shower, Tub Spout)
- Independent valve control for each of the shower functions
- Simultaneous operation of all shower functions\*
- Thermostatic valve control minimize the chance of scalding
- Contemporary brass hand shower

\* Proper water pressure is required for simultaneous operations

Thank you for purchasing Luxier products. Please read the information below and keep this installation guide for future reference. If you require assistance, please contact our customer service department at 1-877-711-8828, Monday - Friday 9AM - 5PM Pacific Time. Or by email at [support@luxierusa.com](mailto:support@luxierusa.com).

### **Limited Two (2) Year Warranty (For USA Only)**

The manufacturer warrants this product to be free of manufacture defects during daily normal household use for as long as it is owned by the original purchaser of this product. Please keep a copy of the original invoice as proof of purchase.

Should a malfunction occur within the warranty period, Luxier USA will, as its option, (1) repair or replace the defective part(s) or product(s) at no charge; (2) issue a refund of the original purchase price of the product(s) (Valid within 30 days from the date of purchase); or (3) issue a credit to be applied toward the purchase of a new Luxier product. Shipping/delivery charges may apply and are in Luxier USA's sole discretion.

This limited warranty shall not apply to goods which have been subject to accident, negligence, improper installation, product abuse, product misuse, or use of cleaners containing abrasives, alcohol or other organic solvents, whether performed by a contractor, service company, or yourself, are excluded from this warranty.

Our responsibility under this limited warranty is limited to only to replacement parts and no other costs. Luxier USA will not be responsible for labor charges and/or damage incurred by installation, repair or replacement, nor for any indirect incidental or consequential damages, losses, injury or costs of any nature relating to this product. Except as provided by law, this limited warranty is in lieu of and excludes all other warranties, conditions, and guarantees, whether expressed or implied, statutory or otherwise, including without restriction those merchantability of fitness for use.

This limited warranty is non-transferable. This limited warranty only applies to products purchased and installed in the United States. This limited warranty covers the original consumer purchase only and does not include business, commercial or industrial use of this product. To obtain service under the Limited Warranty, please contact Luxier USA at [support@luxierusa.com](mailto:support@luxierusa.com). The Luxier USA Customer Care Department will determine whether to repair or replace your product, issue a refund, or issue a credit.

## Attention

- This installation guide is subject to change without notice, please contact us to request the most updated version of this installation guide.
- This is a general installation guideline, actual installation may vary. Consult a professional if necessary.
- Product drawings in this installation guide is for illustration purpose only. Actual product may vary depends on model.
- Always take extra precautions and wear appropriate safety equipment when installing this product.
- Proper water pressure needs to be maintained to prevent possible scalding.
- Stainless steel shower panels are handmade and assembled. Product dimensions may vary slightly, always measure the actual product before installation.

You may also need the following tools

1. Thread Sealant Tape, (PTFE Tape)	5. Pencil or Marker
2. Silicon Sealant	6. Level
3. Phillips Screw Driver	7. Hammer
4. Drill with ¼" Drill bit	

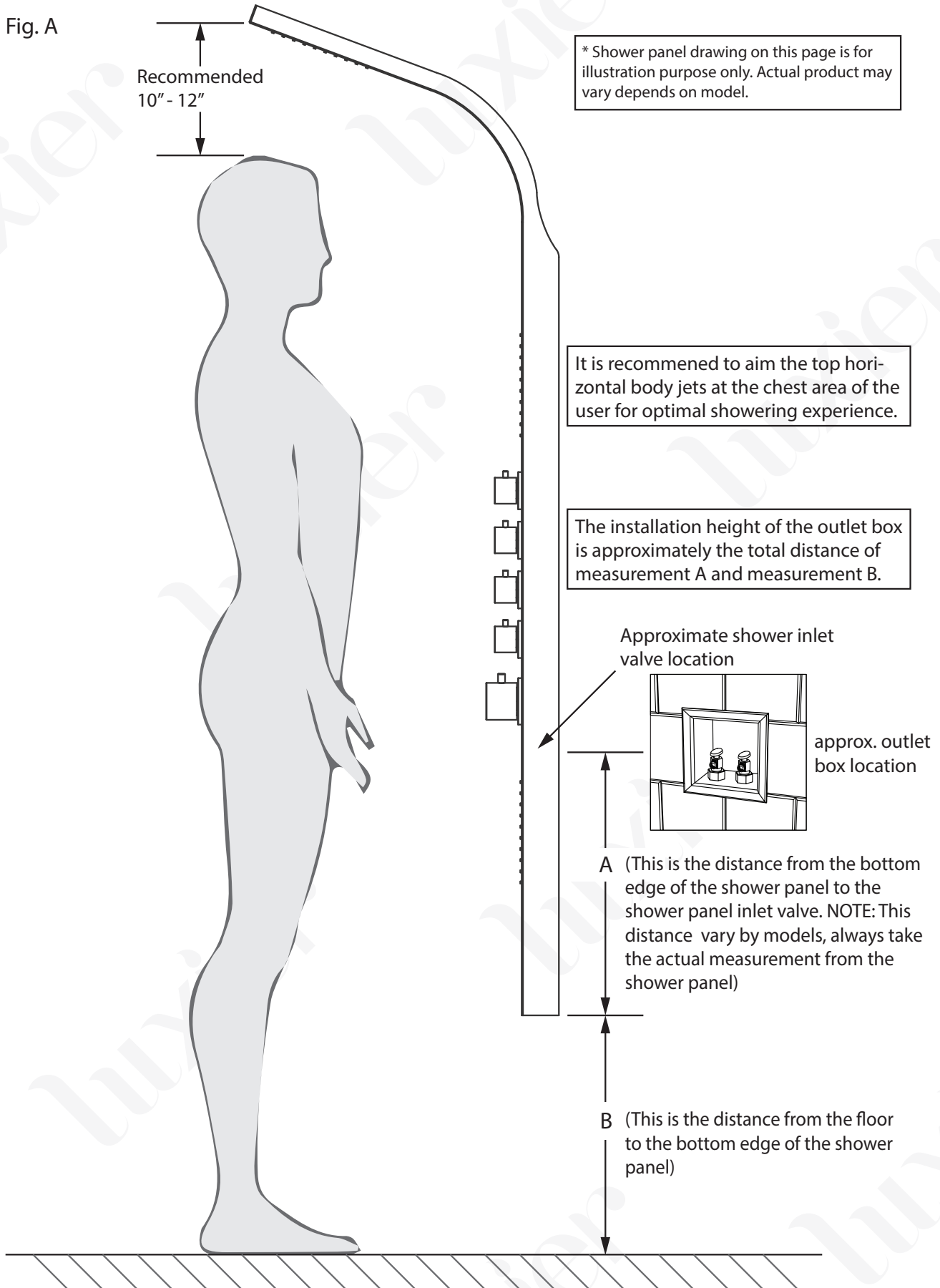
## Before You Begin

- Read and understand this instructions completely before installation.
- Unpack and inspect the shower panel from the package for shipping damage and make sure all parts are included with the shower panel.
- Keep the product in its package until you are ready to install.
- Read and understand this installation guide completely.
- Make sure the installation site is clean and free of dust and debris.
- Please make sure the water supply is shut off to the installation area. If necessary, shut off the water to the entire house.
- Turn on the water at a bathroom faucet in the house to relieve the pressure in the plumbing system.

## Rough-In

- Please follow all local building and plumbing codes.
- The height and placement of the shut off valves will be based on the installation height of the shower panel, see figure A. The installation height is approximately the total distance of measurement A and measurement B.
- The finished wall opening for the valves should not be larger than 4.5" wide by 6" tall. Make sure the opening is completely waterproof to prevent any water leaking into the wall space. (NOTE: Product warranty does not cover any damages caused by water leak due to negligent and improper installation of the shut off valves and the shower panel.)
- An outlet box such as the Sioux Chief Ox Box™ 696-G2001MF, 696-G2303MF, or 696-2403MF is recommended to expedite the installation process of the shut off valves. (NOTE: additional parts such as brass reducer / adapters are required but not included with this product)

Fig. A



## Technical Data

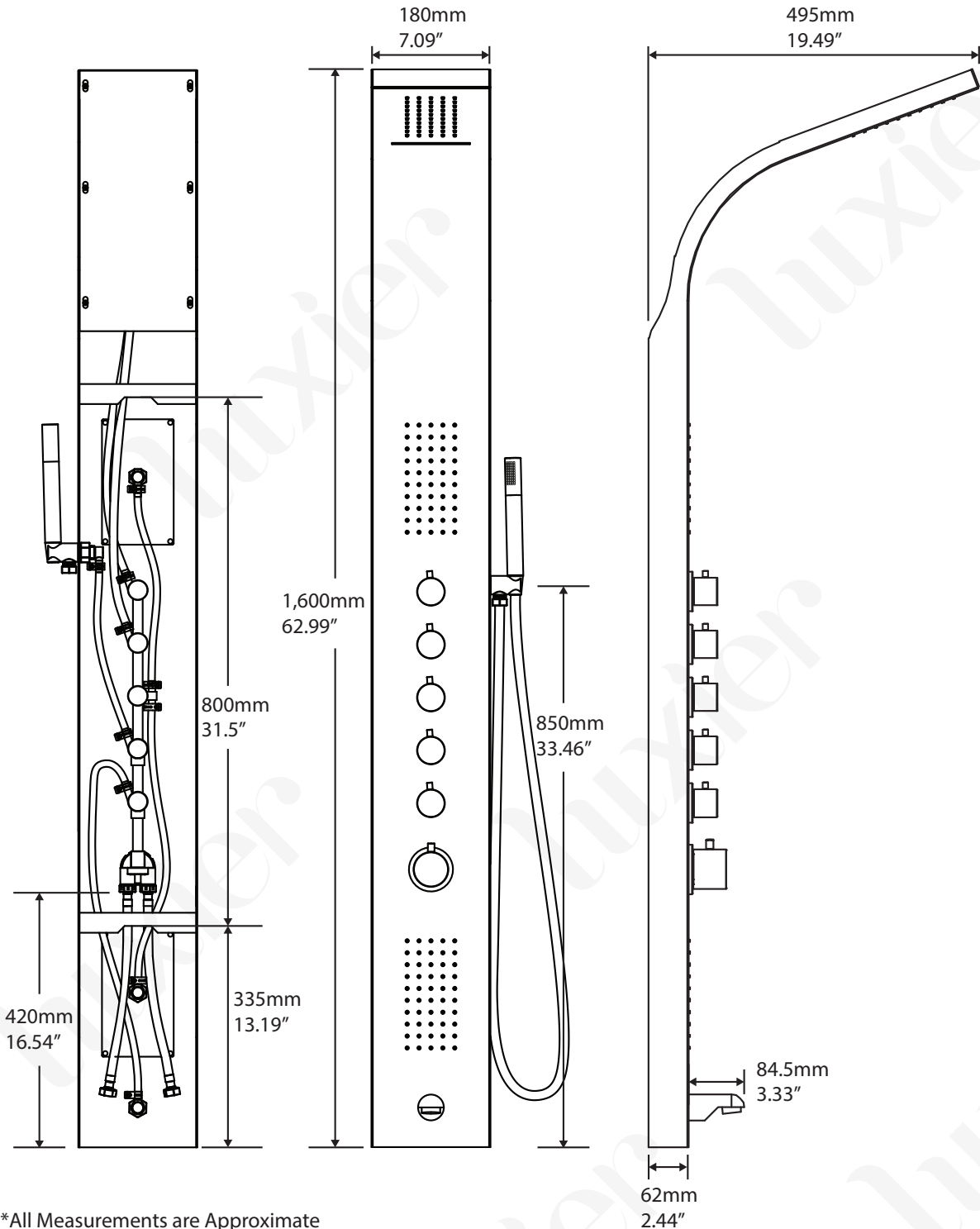
Compliance with the following code(s) and standard(s):

Uniform Plumbing Code (UPC®)

National Plumbing Code of Canada

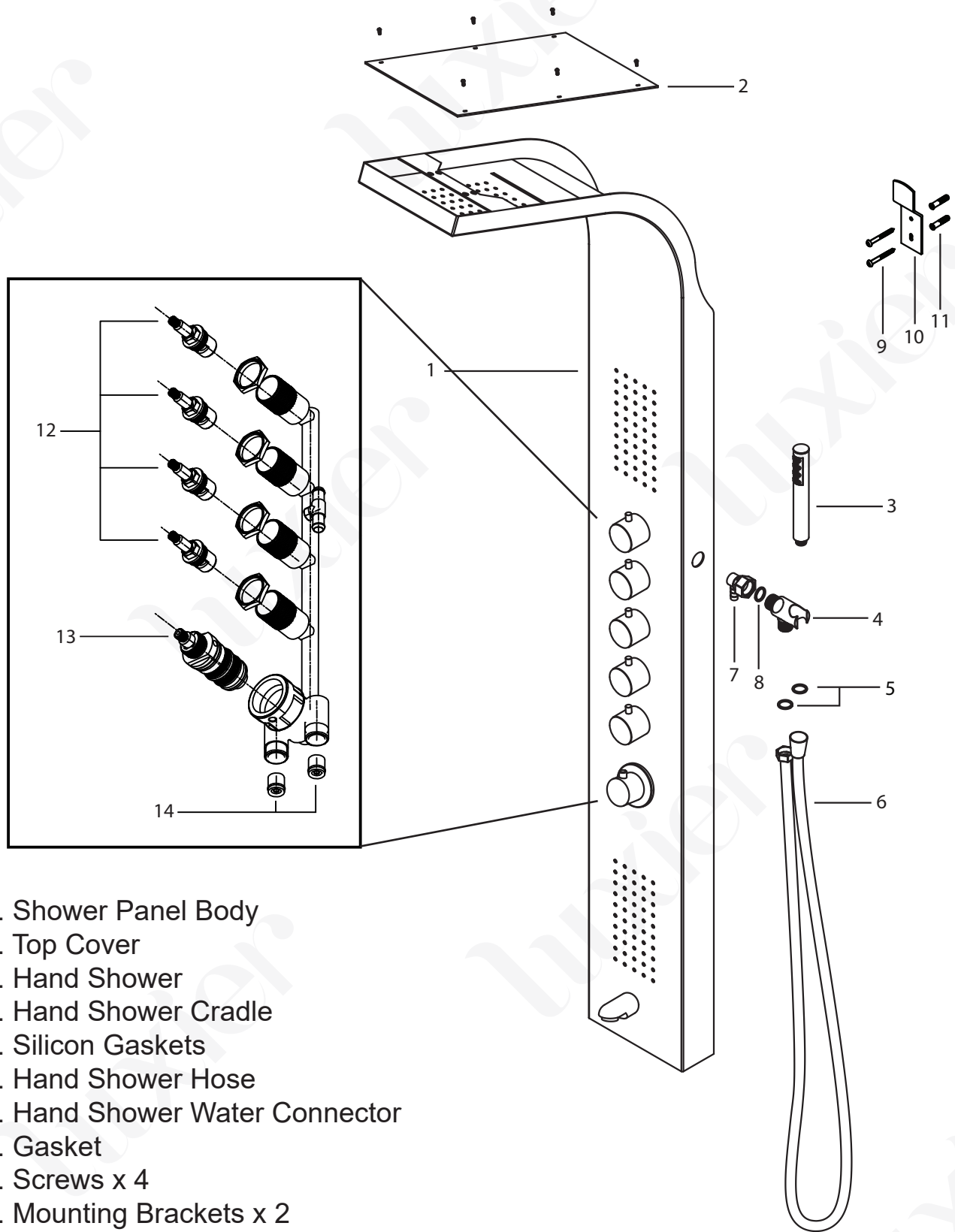
IAPMO IGC 154-2016

Recommended Operating Pressure: 60 PSI



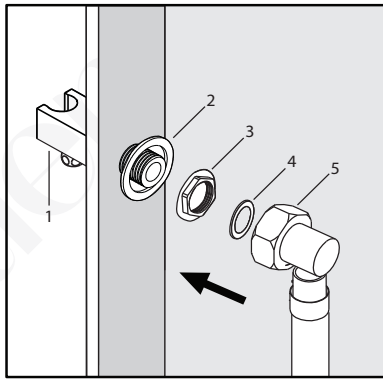
\*All Measurements are Approximate

# Parts List

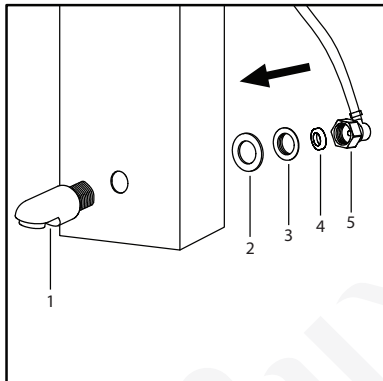


- 01. Shower Panel Body
- 02. Top Cover
- 03. Hand Shower
- 04. Hand Shower Cradle
- 05. Silicon Gaskets
- 06. Hand Shower Hose
- 07. Hand Shower Water Connector
- 08. Gasket
- 09. Screws x 4
- 10. Mounting Brackets x 2
- 11. Wall Anchors x 4
- 12. Valve Stems x 4
- 13. Thermostatic Valve
- 14. Check Valves x 2

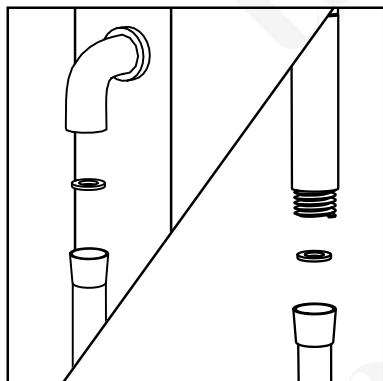
## Installation



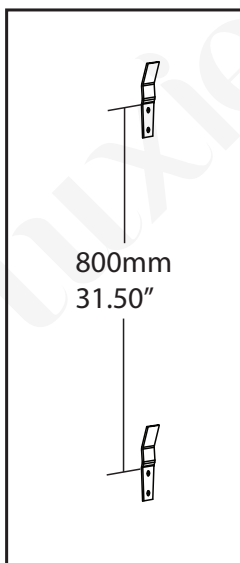
1. Install hand shower cradle (1) to the shower panel by installing the rubber washer (2) and the locking nut (3) and attach white plastic hose tube connector (5) with PVC tubing to complete the connection. **(NOTE: Make sure the silicon gasket (4) is seated properly inside the connector.)**



2. Connect the tub spout (1) to the shower panel with the rubber washer (2) and the locking nut (3) and attach plastic hose connector (5) with PVC tubing to complete the connection. **(NOTE: Make sure the silicon gasket (4) is seated properly inside the connector.)**



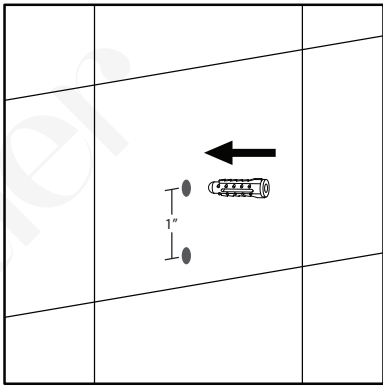
3. Connect hand shower hose to the main panel body and connect the hand shower wand to the hose. Make sure the silicon gaskets are seated properly to prevent water leak.



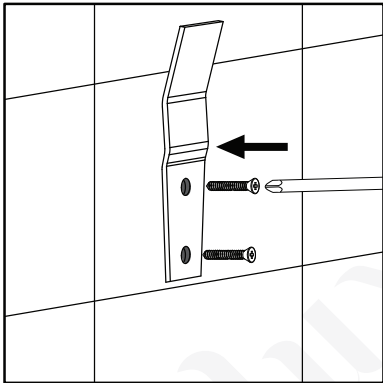
4. Mark the positions of the 2 brackets on the wall and prepare the tile wall for drilling. Use a piece of painters tape or masking tape over the drill area to prevent damages to the tiles.

**(NOTE: The distance between the two brackets should be 800mm or 31.5")**

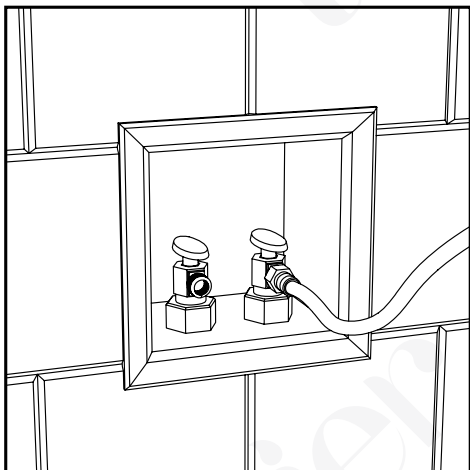
## Installation (cont.)



5. Using a drill with a tile bit, drill the hole slowly into the tile. Do not drill into any piping or wiring in the wall. Insert the anchors into the wall.



6. Secure the mounting brackets to the wall with the screws.



7. Apply thread sealant tape to the threading on the shut-off valves before connect both hot and cold water supply hoses to the valves.

### IMPORTANT :

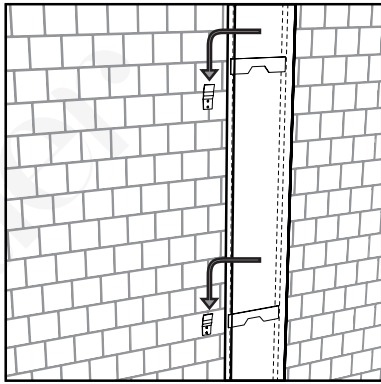
- Make sure the water supply hoses are connected to the corresponding shut-off valves - i.e. cold water hose to the cold water valve and hot water hose to the hot water valve. The thermostatic valve will not function properly if the hoses are installed incorrectly.

- Before hanging the shower panel on the wall. Turn on both shut-off valves and test all water functions on the shower panel and check for leaks at this point. You should have good water flow to the shower panel and full temperature control from the knobs.

**The range of the control knob is limited in both clockwise and counter-clockwise directions. DO NOT force to turn the knob pass its limit. Overturning the control will damage the thermostatic valve making it fail to regulate temperature.**



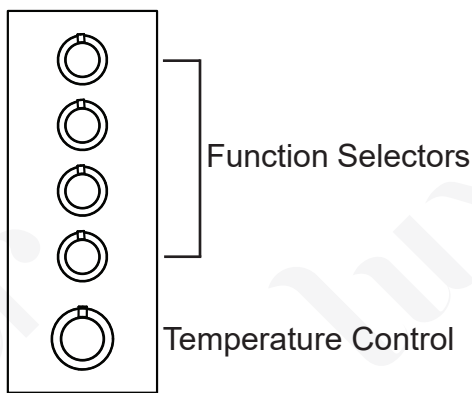
## Installation (cont.)



8. Once the shower panel has been tested for functions and leaks. Hang the unit on the wall to complete the installation. Due to the limited space behind the shower panel, do not bend the hoses. Any restrictions in the water supply hoses will greatly reduce the performance of the shower panel. After the shower panel is set properly on the wall, apply silicon sealant on both sides of the shower panel to prevent the unit from moving.

**(NOTE: Do not seal the bottom of the panel.)**

## Operation



1. Turn the temperature control knob to set the desired water temperature. The control is preset to maximum temperature of 100.4 degrees Fahrenheit. To set higher water temperature, push down the safety pin and turn the dial counterclockwise to the desired temperature mark. **(IMPORTANT: Scalding may occur if bypass the safety pin, use this control with caution)**
2. Select the desired water function by turning the selector to the corresponding marking. Multiple functions can be used simultaneously only if there is adequate water pressure supplied to the shower panel.

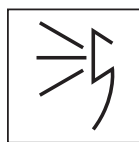
### IMPORTANT:

The range of the control knob is limited in both clockwise and counter-clockwise directions. **DO NOT** force to turn the knob pass its limit. Overturning the control will damage the thermostatic valve making it fail to regulate temperature.

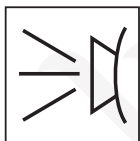
## Water Functions



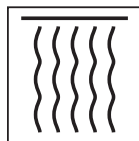
Overhead Jets



Handheld Shower



Horizontal Body Jets



Overhead Waterfall

## Maintenance Guide

Please follow the cleaning material manufacturer's instructions. In addition, pay attention to the following points:

1. Regular cleaning can prevent mineral build up on shower head and handheld shower.
2. Use a mild detergent such as liquid dishwashing soap and warm water for cleaning.
3. Do not use abrasive / harsh chemical when cleaning the fixture as they will damage and dull the finish.
4. Carefully read the cleaner product label to ensure the cleaner is safe for use on the material.
5. Test the cleaner on a small area before using on the entire surface.
6. Do not leave the cleaner on the fixture longer than necessary.
7. When using spray cleaners, spray first onto a soft cloth or sponge. Never spray directly onto the faucet as droplets can enter openings and gaps and cause damage.
8. After cleaning, rinse thoroughly with clean water to remove any cleaner residue.
9. Wipe dry with soft cloth to keep shower panel surface spot free.

## Troubleshooting

NOTE: To maintain the performance of the shower panel. The thermostatic valve needs to be cleaned at least once a year. More frequent cleaning is needed if water has high mineral content.

NOTE: Proper pressure must be maintained for the thermostatic valve to work properly. Make sure water pressure is about the same on both hot and cold water side.

### 1. Water is Either Only Hot or Only Cold

Solution: If the newly installed shower panel fails to regulate temperature, the first step is to check the water supply hoses. The thermostatic valve will not work if the hoses are installed backward. Contrary to common plumbing belief, it does matter which side they are installed, as the valve has a hot side and a cold side. If the hoses were installed in reverse, you should simply switch the hoses back. Also check for dirt or sediments in the check valves. Sometimes dirt can inadvertently lodge in the check valve making it not to open therefore cutting off water flow to the unit. The check valves can be cleaned by cotton swabs. Make sure the check valves are free of dirt and operate as normal.

### 2. Failure to Mix Hot and Cold water

Solution: The first thing to check is the water pressure at both inlets. The water pressure should be equal for both hot and cold water side. The thermostatic valve will not work properly if there is a lack of water pressure due clog, damaged shutoff valve, or damaged check valve. The pressure issue will need to be resolved before the valve can operate properly. Unbalanced water pressure will make it harder to achieve desired water temperature. The water will be either too hot or too cold.

### 3. Water Temperature is Either Too Hot or Too Cold

Solution: If proper water pressure is maintained but the panel is not able to maintain desired water temperature. The thermostatic valve may also need to be recalibrated. Please follow the calibration instruction in this installation guide.

### 4. Low Water Pressure / Flow

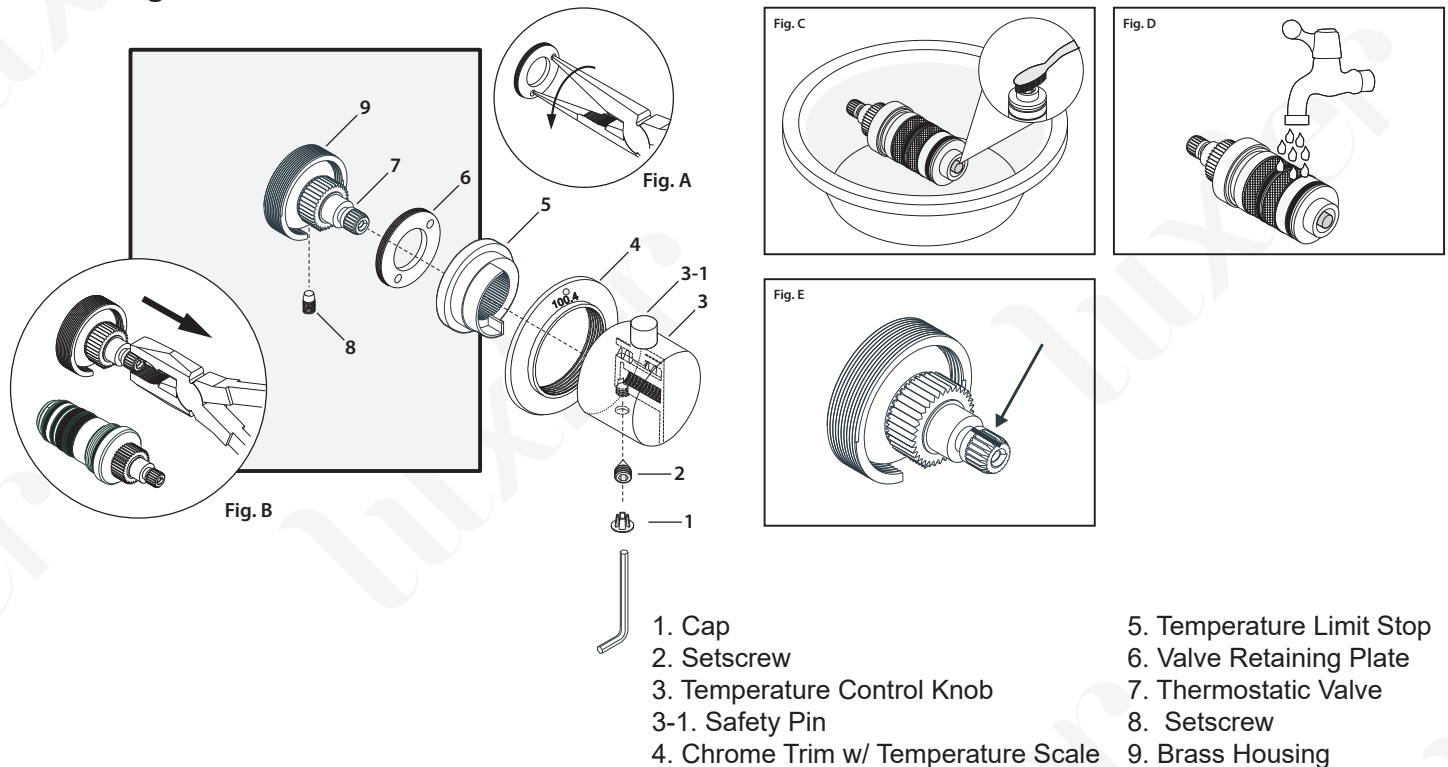
Solution: Any restrictions in the water supply hoses will greatly reduce the performance of the shower panel. The first step is to make sure both shut-off valves are fully open. Secondly, check the water supply hoses for kinks. Due to limited space behind the shower panel, the hoses can get kinked very easily. Make sure the hoses are free of kinks when hanging the shower panel on the wall. Lastly, make sure both check valves are working properly. A malfunctioned check valve can also cause low water flow to the thermostatic valve. The check valve should open when the center is pushed with tip of a pen or a cotton swab. The check valve should close automatically when no external pressure is applied to the center part of the valve.

# Cleaning The Thermostatic Valve

## Before You Begin

- Read and understand this instruction completely before service the shower panel.
- Make sure the water supply is shut off to the unit. If necessary, shut off the water to the entire house.
- Turn on one of the faucets in the house to relieve the water pressure in the plumbing system.
- Make sure the service site is clean and free of dust and debris.

## Parts Diagram



## Thermostatic Valve Cleaning / Replacement Instructions

1. Remove Cap #1 from the Temperature Control Knob #3.
2. Use a small hex wrench, loosen the Setscrew #2 by 2-3 turns. (NOTE: Do not remove the setscrew completely.)
3. Remove Temperature Control Knob #3.
4. Remove Temperature Limiter #5 by pulling it off the Thermostatic Valve #7.
5. Use a small needle nose pliers remove the brass Valve Retaining Plate #6. See Figure A for reference.
6. Use a pair of pliers to pull out the Thermostatic Valve #7 for cleaning. (Figure B)
7. Use commercially available hard water scale remover to clean the valve. Dilute the solution as instructed on the cleaner. Soak the valve for about 5 minutes in the solution and clean it with a soft brush. (Figure C)
8. Thoroughly rinse the Thermostatic Valve under running warm water. Wash off any cleaning solution and debris off the Thermostatic Valve. (Figure D)
9. After the cleaning process, follow the above steps in reverse order to assemble the shower panel. (NOTE: When inserting the thermostatic valve, make sure the marking on the tip of the valve is pointing up at 12 o'clock position as seen in Figure E)
10. Turn on water supply to the unit and test the system for leak.

## Calibrating The Thermostatic Valve

### Before You Begin

- Read and understand this instruction completely before service the shower panel.
- Make sure the service site is clean and free of dust and debris.

The valve may need to be recalibrated after the valve was replaced or cleaned. The thermostatic valve is preset at 100.4 degree Fahrenheit when the safety pin is pointing at 12 o'clock position (Figure F) This is the starting point of the calibration.

The valve can also be adjusted to have a different starting temperature based on personal preference. **(IMPORTANT: Scalding may occur if base temperature is set too high. Use with caution.)** **(NOTE: Temperature scale on the chrome trim will no longer apply if base starting temperature is changed.)**

### NOTE

For calibrating to factory preset temperature of 100.4 degree Fahrenheit. The Temperature Limit Stop (5) and the marking on the Thermostatic Valve (7) **MUST** all line up with the 100.4 marking on the Temperature Scale (4) at 12 o'clock position. (Figure H)

1. Remove Cap #1 from the Temperature Control Knob #3.
2. Use a small hex wrench, loosen the Setscrew #2 by 2-3 turns. **(NOTE: Do not remove the setscrew completely.)**
3. Remove Temperature Control Knob #3.
4. Select hand shower function and turn on the water.
5. Use a pair of pliers turn the tip of the thermostatic valve to set the temperature to about 100.4 degree Fahrenheit or to a desired starting temperature. (Figure G) Use a digital thermometer to confirm the water temperature.
6. Once the temperature is set, install the Temperature Control Knob #3. **(NOTE: The Safety Pin should be pointing at 12 o'clock)** and tighten setscrew #2

